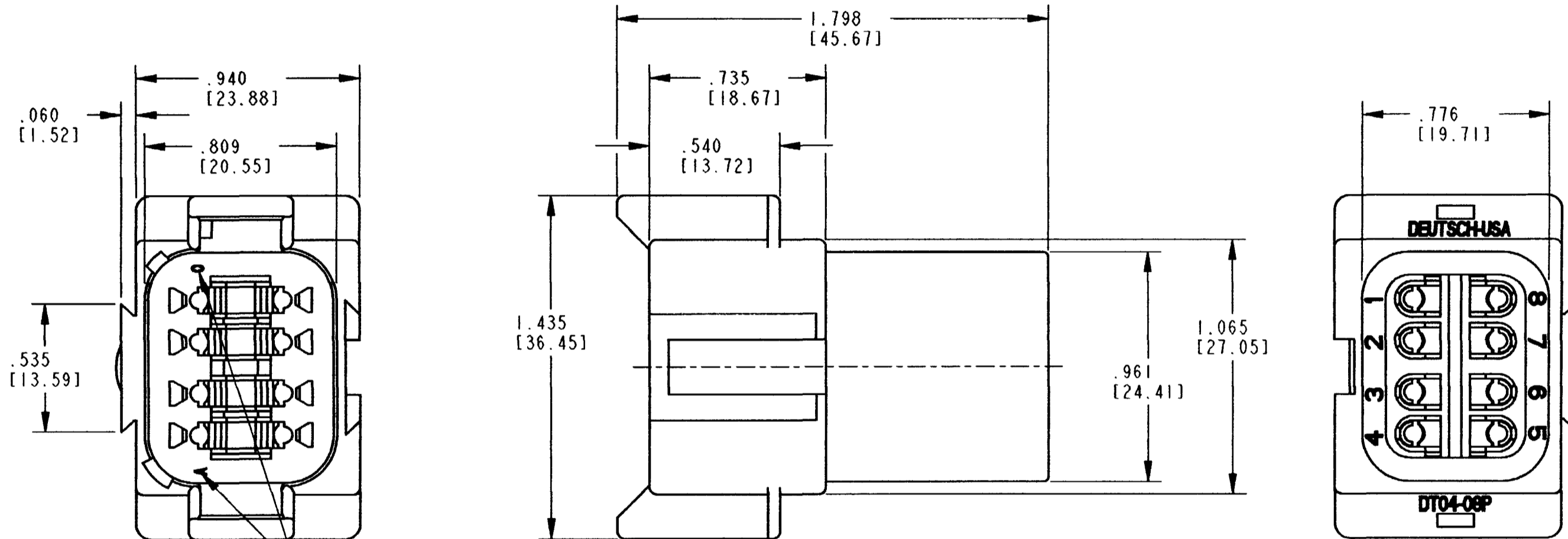


CONTACT SIZE	MIN. INSUL. O.D.	MAX. INSUL. O.D.	WIRE RANGE Δ [mm ²] REF ONLY
16	.088 [2.24]	.145 [3.68]	14-20 AWG [2.0-0.5]

REV B DT04-08P*

REVISIONS			
SYM	DESCRIPTION	DATE	APPROVED
NC	REDRAWN/REPLACES PREVIOUS		
	RELEASE PER E.O. PI8584	7/23/04	R.D.R.
A	REVISED PER E.O. PI8806	1/14/05	R.D.R.
B	REVISED PER E.O. PI9634	9-4-07	RDR



DATE CODE: MONTH IS REPRESENTED BY SEQUENTIAL ALPHA CHARACTERS. EX. A = JANUARY
YEAR IS REPRESENTED BY LAST NUMERICAL DIGIT. EX. 0 = 2000.

- 5. MATERIAL: SHELL: PLASTIC; SEAL: RUBBER
- 4. THIS RECEPTACLE MATES WITH DT06-08S*--**** PLUG.
(* = A,B,C,D, KEY ARRANGEMENT; **** = ALL MODIFICATIONS).
CONSULT FACTORY FOR ALL MODIFICATIONS.

Δ FOR CONTACTS AND WIRE PERFORMANCE AND APPLICATION CHARACTERISTICS,
SEE ENVELOPE DRAWING 0425-015-0000 AND 0425-017-0000.

2. ALL DIMENSIONS ARE \pm .025 [0.63] UNLESS OTHERWISE SPECIFIED.

NOTES: 1. ALL DIMENSIONS ARE IN INCHES [MILLIMETERS].

SIGNATURE & DATE	
DR	X. SANCHEZ 07JULY04
CHK	[Signature] 9/4/07
PE	[Signature] 8/13/07
APPD	[Signature] 9-4-07
SCALE	NONE
WT	

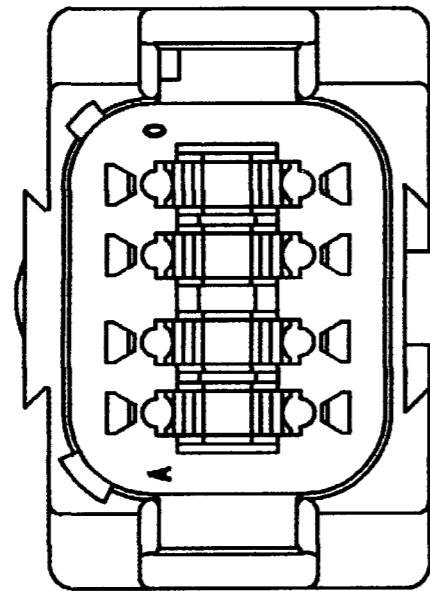
8 WAY RECEPTACLE
KEY ARR. A,B,C,D
D.T. SERIES

ENVELOPE

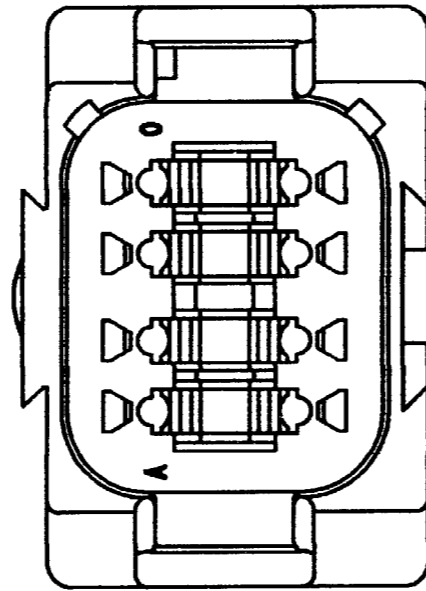
EP	MATL. CODE
	3850 INDUSTRIAL AVE. HEMET, CA 92545
DEUTSCH INDUSTRIAL	
B	DT04-08P*
DWG SIZE	CODE 11139 SHEET 1 OF 2

REV B	DT04-08P*	REVISIONS		
SYM	DESCRIPTION	DATE	APPROVED	
	SEE SHEET 1	10-9-07	SB	

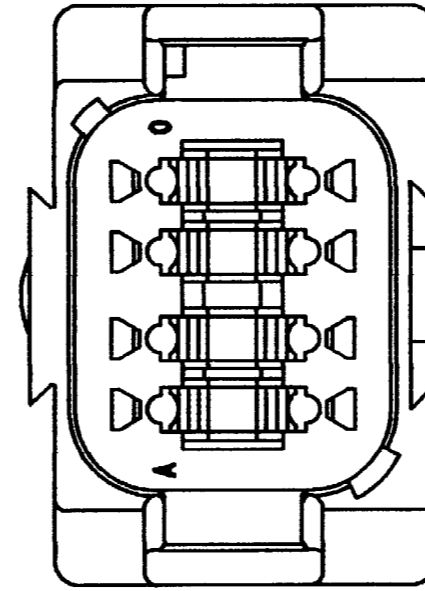
PART NO.
DT04-08PA
KEY ARR. -A-
COLOR: GREY



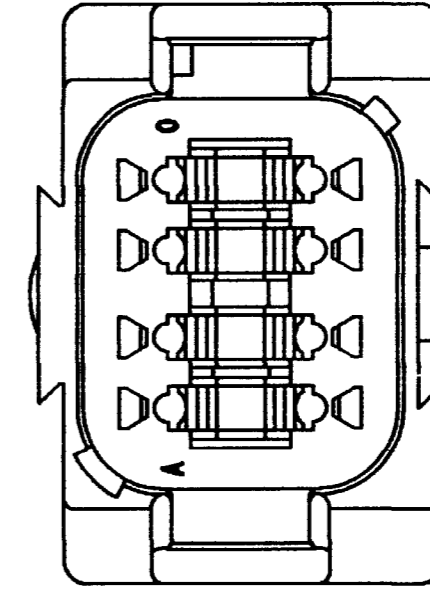
PART NO.
DT04-08PB
KEY ARR. -B-
COLOR: BLACK




PART NO.
DT04-08PC
KEY ARR. -C-
COLOR: GREEN



PART NO.
DT04-08PD
KEY ARR. -D-
COLOR: BROWN



NOTES:

SIGNATURE & DATE		8 WAY RECEPTACLE KEY ARR. A, B, C, D D.T. SERIES	EP	MATL. CODE	
DR	X. SANCHEZ 07 JULY 04		 3850 INDUSTRIAL AVE. HEMET, CA 92545 DEUTSCH INDUSTRIAL	B DT04-08P* <small>DWG SIZE</small>	
CHK	<i>[Signature]</i> 9/14/07				CODE 11139
PE	R. MORGAN 8/31/07				SHEET 2 OF 2
APPD	<i>[Signature]</i> 9-4-07	ENVELOPE			
SCALE	NONE	WT			